

**AIRGROUP**  
Australia

**Phoenix**  
DUCTED GAS HEATING

**Spare Parts**  
Information and Price List

**Effective 1st September 2009**  
ALL PRICES EXCLUDE GST

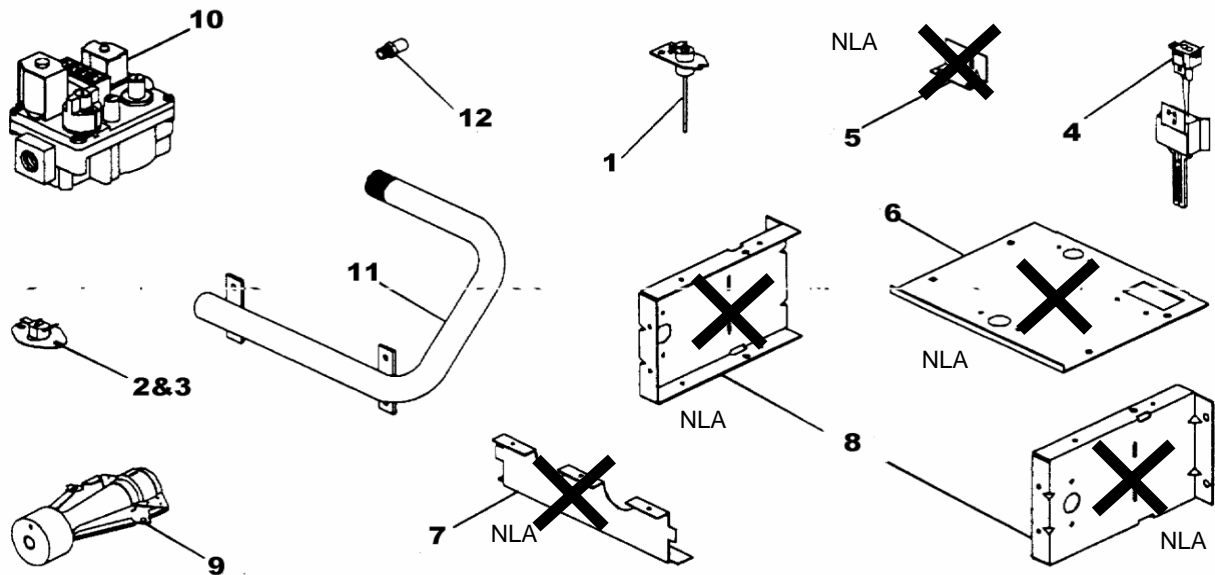
AIR GROUP AUSTRALIA  
28/30 DIVISION STREET  
WELSHPOOL WA 6106  
[www.airgroup.com.au](http://www.airgroup.com.au)



# CONTENTS

	PAGE
Gas Train .....	4
Heat Exchange .....	5
Blower Assembly .....	6
Electrical and Hardware .....	7

# GMC PHOENIX GAS FURNACES

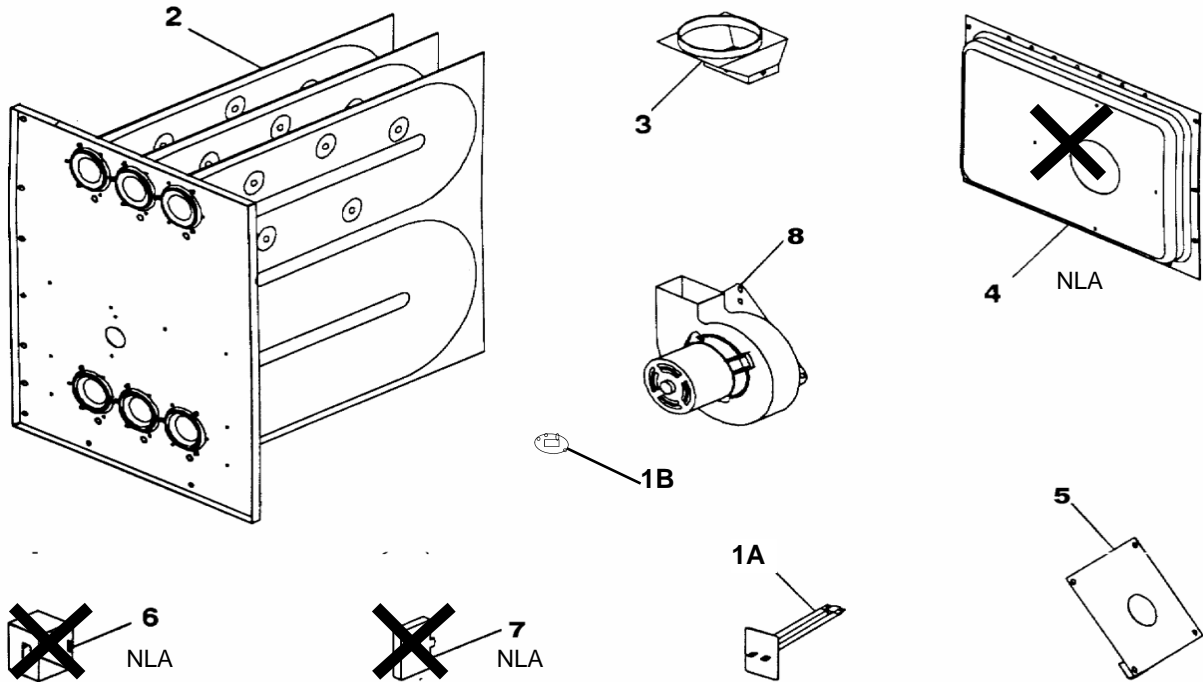


## GAS TRAIN

#	PART NUMBER	DESCRIPTION	GMP 070	GMP 110	GMP 135	GMP 150	GMP 170	Ex GST Price
1	B11726-06	FLAME SENSOR	1	1	1	1	1	
2	B13701-54	ROLLOUT/SPILL SWITCH, BLUE, C/W BRACKET N / CLOSED	1	1	1	1	1	
3	B13701-45	ROLLOUT/SPILL SWITCH, BLUE, W/O BRACKET N / CLOSED	3	3	3	3	3	
4	B14010-14 B14010-09S	DIRECT SPARK IGNITER ASS HOT SURFACE IGNITER ASS	1 1	1 1	1 1	1 1	1 1	
5	25095-00	H.S.I MOUNTING BRACKET	1	1	1	1	1	
6	25130-00 25130-01 25130-02 25130-03 25130-04	2CL, BURNER BOX TOP 3CL, BURNER BOX TOP 4CL, BURNER BOX TOP 5CL, BURNER BOX TOP 6CL, BURNER BOX TOP	1	1	1	1	1	
7	25135-00 25135-01 25135-02 25135-03 25135-04	2CL, BURNER RACK 3CL, BURNER RACK 4CL, BURNER RACK 5CL, BURNER RACK 6CL, BURNER RACK	1	1	1	1	1	
8	25140-00	BURNER BOX SIDE	2	2	2	2	2	
9	25227-03S	INSHOT BURNER ASS	2	3	4	5	6	
10	B12826-14	GAS VALVE	1	1	1	1	1	
11	B25260-00 B25260-01 B25260-02 B25260-03 B25260-04	2CL, MANIFOLD 3CL, MANIFOLD 4CL, MANIFOLD 5CL, MANIFOLD 6CL, MANIFOLD	1	1	1	1	1	
12	B25893-43 SPTT201	GAS ORIFICE #43 GAS OFFICE—LPG	2 2	3 3	4 4	5 5	6 6	
13	SPTT200	SPRING FOR GAS VALVE LPG	1	1	1	1	1	

NLA No longer available.

# GMC PHOENIX GAS FURNACES

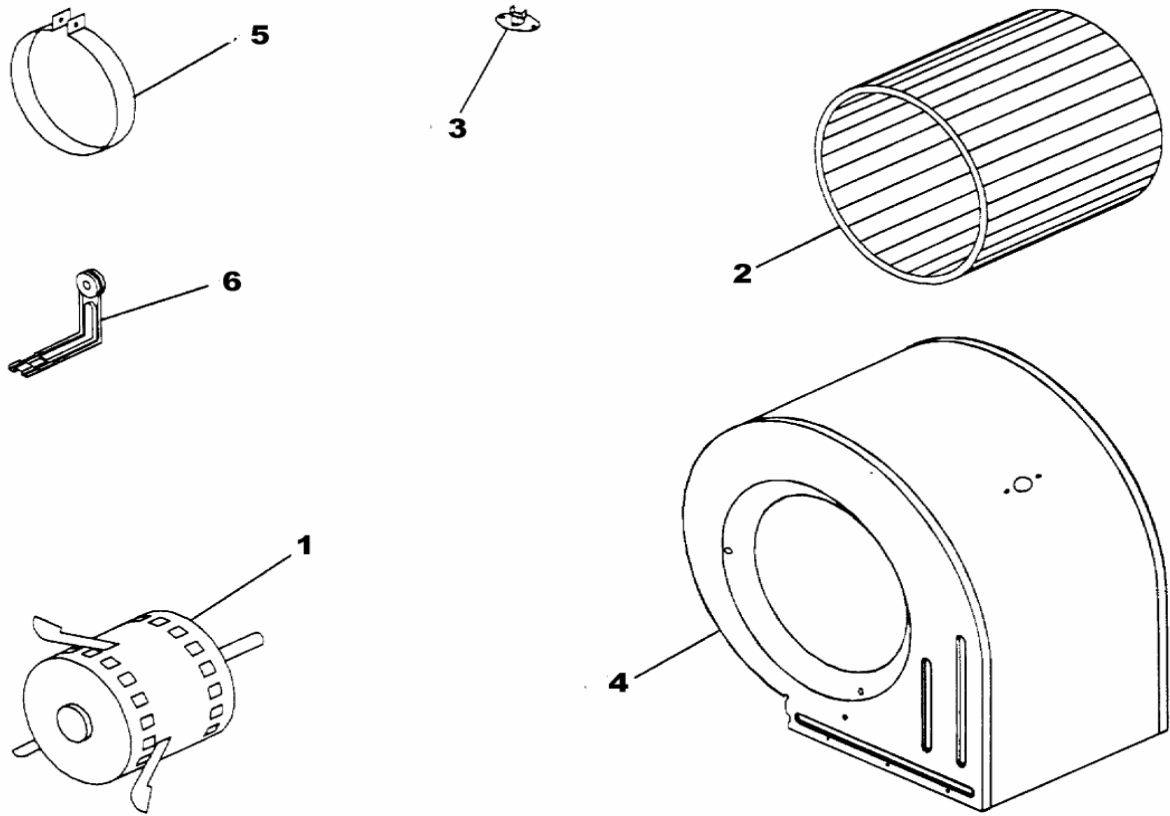


## HEAT EXCHANGE ASSEMBLY

#	PART NUMBER	DESCRIPTION	GMP 070	GMP 110	GMP 135	GMP 150	GMP 170	Ex GST Price
1A	B13700-03 B13700-08 B13700-12	LIMIT SWITCH, 240, 75mm LIMIT SWITCH, 160, 175mm LIMIT SWITCH, 240, 175mm	1	1	1	1	1	
1B	B13701-68 B13701-67 B13701-70	MANUAL RESET LIMIT SWITCH MANUAL RESET LIMIT SWITCH MANUAL RESET LIMIT SWITCH	1	1	1			
2	25213-00s 25213-01S 25213-02S 25213-03S 25213-04S	HEAT EXCHR.SUB-ASS.,2CL HEAT EXCHR.SUB-ASS.,3CL HEAT EXCHR.SUB-ASS.,4CL HEAT EXCHR.SUB-ASS.,5CL HEAT EXCHR.SUB-ASM.,6CL	1	1	1	1	1	
3	B25235-00	CHIMNEY	1	1	1	1	1	
4*	25100-00S 25100-01S 25100-02S 25100-03S	FLUE COLLECTOR BOX, 350mm FLUE COLLECTOR BOX, 425mm FLUE COLLECTOR BOX, 525mm FLUE COLLECTOR BOX, 600mm	1	1	1	1	1	
5*	25280-00S 25280-02S 25280-03S 25280-05S 25280-07S	FLUE RESTRICTOR PLATE FLUE RESTRICTOR PLATE FLUE RESTRICTOR PLATE FLUE RESTRICTOR PLATE FLUE RESTRICTOR PLATE	1	1	1	1	1	
6	25145-01	J-BOX (75 X 75 X 61)	1	1	1	1	1	
7	25155-01	J-BOX COVER (75 X 75 X 61)	1	1	1	1	1	
8	B18590-505	FLUE BLOWER ASS.	1	1	1	1	1	
9	T208	REPLACEMENT FLUE BLOWER BARB	USE ON BLACK LABEL FASCO FLUE BLOWERS ONLY					

- Flue Restrictor Plate and Flue Collector Box Includes Gasket Material
- NLA No longer available

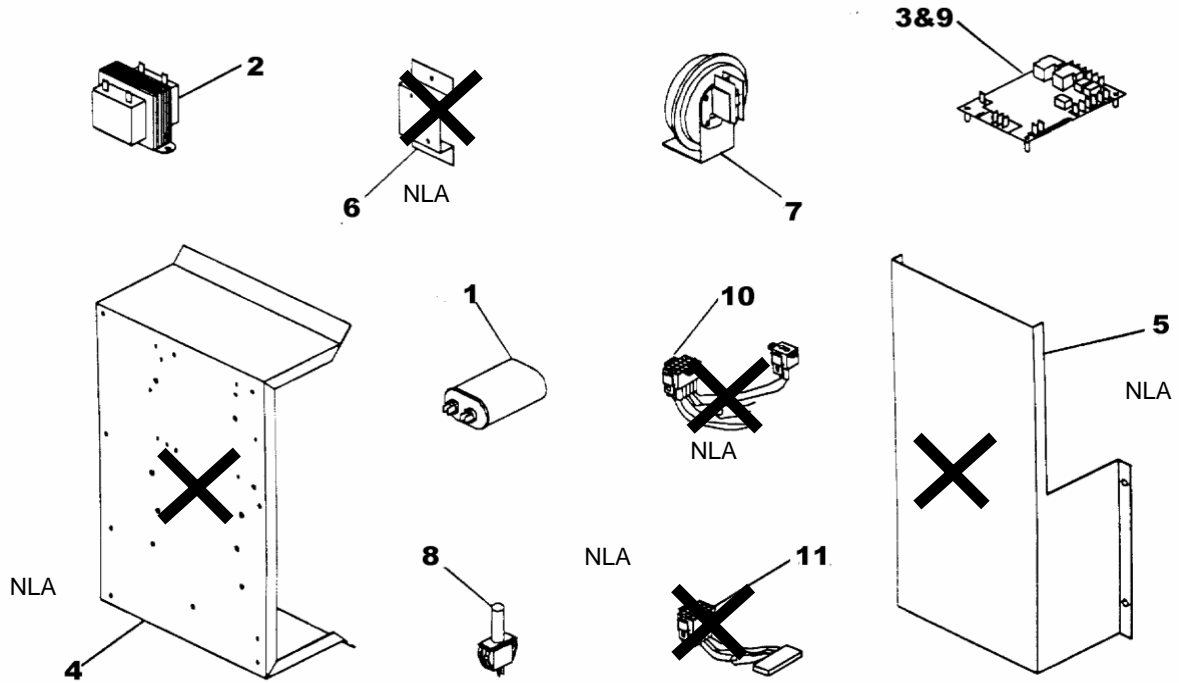
# GMC PHOENIX GAS FURNACES



## BLOWER ASSEMBLY

#	PART NUMBER	DESCRIPTION	GMP 070	GMP 110	GMP 135	GMP 150	GMP 170	Ex GST Price
1	B13400-502 B13400-503 B13400-522 B13400-523	MOTOR, ¼ H.P. MOTOR, ½ H.P. MOTOR, ¾ H.P. TWIN SHAFT MOTOR, ¾ H.P.	1	1	1	1	1	
2	B13680-00 B13680-16 B13680-34 B13680-46	BLOWER WHEEL (11x10) BLOWER WHEEL (10x8) BLOWER WHEEL (10x6) LEFT BLOWER WHEEL (10x6) RIGHT	1	1	1	1	1	1
3	B13701-55	AUXILLIARY LIMIT CONTROL, 120F	1	1	1	1	1	
4	18393-01 25393-00 25393-01 25393-02	BLOWER SHELL ASM. (10x6) RIGHT BLOWER SHELL ASM. (10x6) LEFT BLOWER SHELL ASM. (10x8) BLOWER SHELL ASM. (11x10)	1	1	1	1	1	1
5	B13768-51	MOTOR MOUNT BAND			1	1	1	
6	B13768-57 B13768-59 B13768-53	MOTOR MOUNT ARM MOTOR MOUNT ARM MOTOR MOUNT ARM			3	3	3	

# GMC PHOENIX GAS FURNACES



## ELECTRICAL & HARDWARE

#	PART NUMBER	DESCRIPTION	GMP 070	GMP 110	GMP 135	GMP 150	GMP 170	Ex GST Price
1	B9456-51 B9456-52 B9456-53	CAPACITOR, 7.5/370 CAPACITOR, 10/370 CAPACITOR, 15/370	1	1	1	1	1	
2	B11416-43	TRANSFORMER	1	1	1	1	1	
3	B18099-20 B18099-09	50 HZ DIRECT SPARK IGNITION MODULE 50HZ HOT SURFACE MODULE	1 1	1 1	1 1	1 1	1 1	
4	B18158-12	CONTROL MOUNT PANEL	1	1	1	1	1	
	B18099-21 B18099-22	DIRECT SPARK IGNITION MODULE Twin boards after 2003 DIRECT SPARK IGNITION MODULE LINK	1 1	1 1	1 1	1 1	1 1	
5	25170-03	COVER FOR CONTROL PANEL	1	1	1	1	1	
6	25095-02	BRACKET FOR AIR PRESSURE SWITCH	1	1	1	1	1	
7	B13701-26 B13701-33 B13701-42	AIR PRESSURE SWITCH - VARIABLE AIR PRESSURE SWITCH - 50" WC AIR PRESSURE SWITCH - 60" WC	1	1	1	1	1	
8	B13708-20	DOOR SWITCH	1	1	1	1	1	
9	B18099-04	TIMED FAN CONTROL	1	1	1	1	1	
10	25684-05	WIRE HARNESS TO HEAT EXCHR.	1	1	1	1	1	
11	25684-04	WIRE HARNESS TO BLOWER	1	1	1	1	1	
	SPTT204	CONVERSION KIT FOR HSI TO DSI CONNECTION KIT TO BE USED WITH: B18099-21, B18099-22, B14010-14 & 2X B29684-13						
	B29684-13	WIRING HARNESS FOR USE WITH DSI MODULE & DSI MODULE LINK						
<b>CONTROLLER</b>								
	SPM458	MANUAL THERMOSTAT						
	SPM447	AUTO THERMOSTAT						