

AIRGROUP
A u s t r a l i a

Phoenix
DUCTED GAS HEATING

Spare Parts
Information and Price List

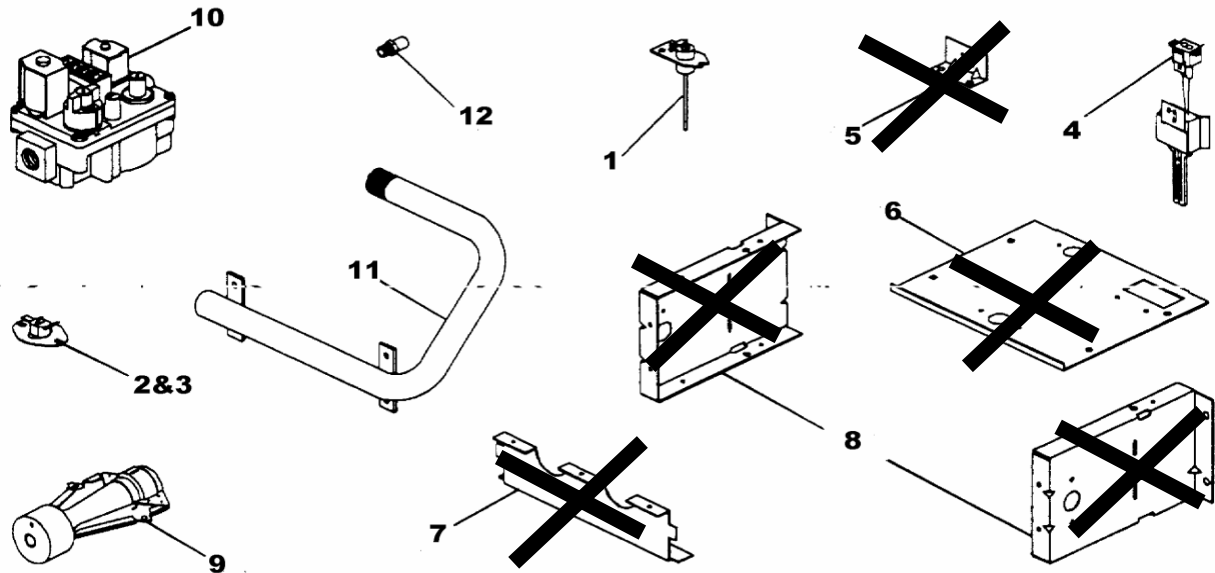
Effective 1st September 2010
ALL PRICES EXCLUDE GST

AIR GROUP AUSTRALIA
28/30 DIVISION STREET
WELSHPOOL WA 6106

CONTENTS

	PAGE
Gas Train	4
Heat Exchange	5
Blower Assembly	6
Electrical and Hardware	7

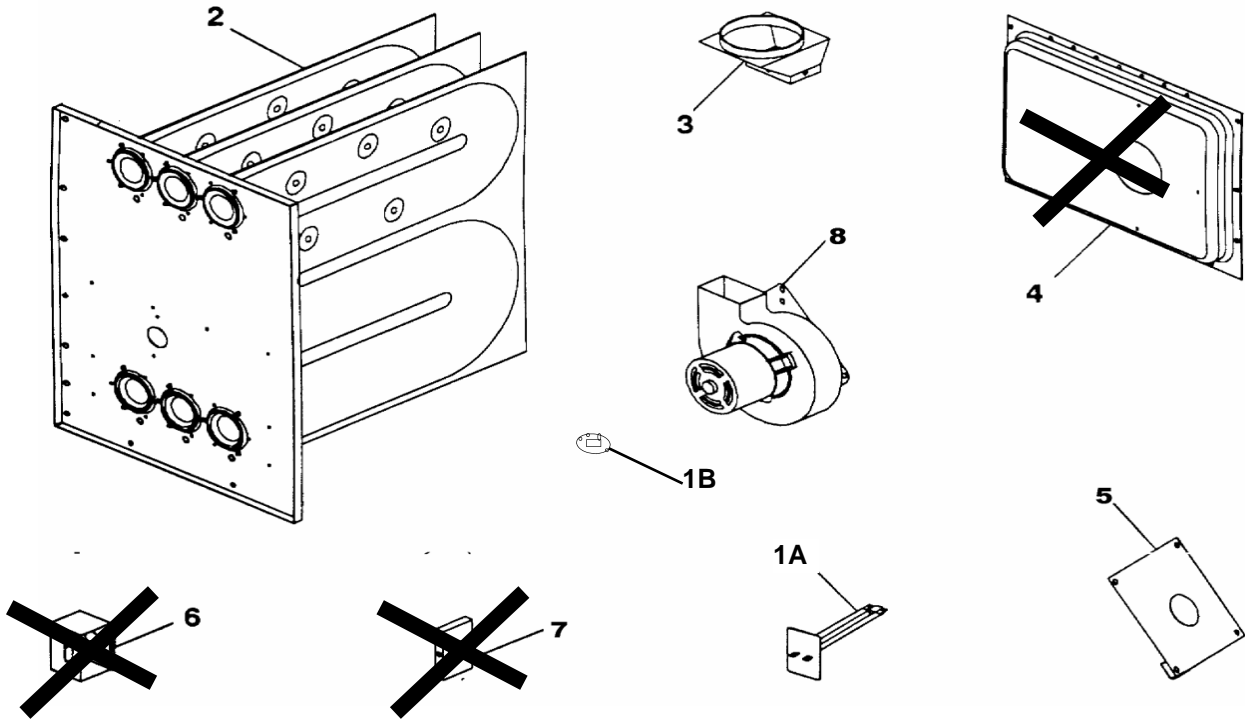
GMC PHOENIX GAS FURNACES



GAS TRAIN

#	PART NUMBER	DESCRIPTION	GMP 070	GMP 110	GMP 135	GMP 150	GMP 170	Ex GST Price
1	B11726-06	FLAME SENSOR	1	1	1	1	1	
2	B13701-08	ROLLOUT/SPILL SWITCH, BLUE, C/W BRACKET	1	1	1	1	1	
3	B13701-45	ROLLOUT/SPILL SWITCH, BLUE, W/O BRACKET	3	3	3	3	3	NLA
4	B14010-14 B14010-09S	DIRECT SPARK IGNITER ASS † HOT SURFACE IGNITER ASS ††	1 1	1 1	1 1	1 1	1 1	NLA
5	25095-00	H.S.I MOUNTING BRACKET	1	1	1	1	1	NLA
6	25130-00 25130-01 25130-02 25130-03 25130-04	2CL, BURNER BOX TOP 3CL, BURNER BOX TOP 4CL, BURNER BOX TOP 5CL, BURNER BOX TOP 6CL, BURNER BOX TOP	1	1	1	1	1	NLA
7	25135-00 25135-01 25135-02 25135-03 25135-04	2CL, BURNER RACK 3CL, BURNER RACK 4CL, BURNER RACK 5CL, BURNER RACK 6CL, BURNER RACK	1	1	1	1	1	NLA
8	25140-00	BURNER BOX SIDE	2	2	2	2	2	NLA
9	25227-03S	INSHOT BURNER ASS	2	3	4	5	6	
10	B12826-14 B12826-22	GAS VALVE H.S.I. GAS VALVE	1 1	1 1	1 1	1 1	1 1	
11	B25260-00 B25260-01 B25260-02 B25260-03 B25260-04	2CL, MANIFOLD 3CL, MANIFOLD 4CL, MANIFOLD 5CL, MANIFOLD 6CL, MANIFOLD	1	1	1	1	1	
12	B25893-43 SPTT201	GAS ORIFICE #43 GAS OFFICE—LPG	2 2	3 3	4 4	5 5	6 6	
13	SPTT200	SPRING FOR GAS VALVE LPG	1	1	1	1	1	

GMC PHOENIX GAS FURNACES

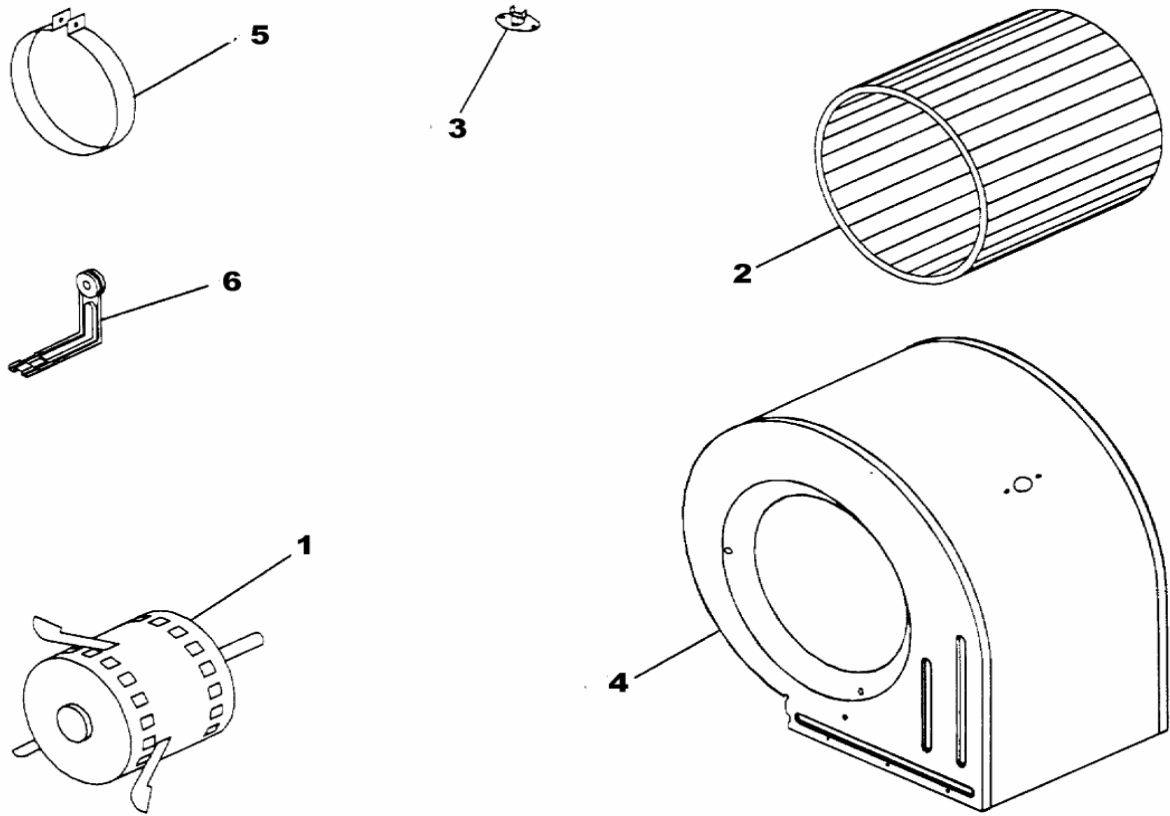


HEAT EXCHANGE ASSEMBLY

#	PART NUMBER	DESCRIPTION	GMP 070	GMP 110	GMP 135	GMP 150	GMP 170	Ex GST Price	
1A	B13700-03 B13700-08 B13700-12	LIMIT SWITCH, 240, 75mm LIMIT SWITCH, 160, 175mm LIMIT SWITCH, 240, 175mm	1	1	1	1	1		
1B	B13701-68 B13701-67 B13701-70	MANUAL RESET LIMIT SWITCH MANUAL RESET LIMIT SWITCH MANUAL RESET LIMIT SWITCH	1	1	1				
2	25213-00s 25213-01S 25213-02S 25213-03S 25213-04S	HEAT EXCHR.SUB-ASS.,2CL HEAT EXCHR.SUB-ASS.,3CL HEAT EXCHR.SUB-ASS.,4CL HEAT EXCHR.SUB-ASS.,5CL HEAT EXCHR.SUB-ASM.,6CL	1	1	1	1	1		
3	B25235-00	CHIMNEY	1	1	1	1	1		
4*	25100-00S 25100-01S 25100-02S 25100-03S	FLUE COLLECTOR BOX, 350mm FLUE COLLECTOR BOX, 425mm FLUE COLLECTOR BOX, 525mm FLUE COLLECTOR BOX, 600mm	1	1	1	1	1	NLA	
5*	25280-00S 25280-02S 25280-03S 25280-05S 25280-07S	FLUE RESTRICTOR PLATE FLUE RESTRICTOR PLATE FLUE RESTRICTOR PLATE FLUE RESTRICTOR PLATE FLUE RESTRICTOR PLATE	1	1	1	1	1		
6	25145-01	J-BOX (75 X 75 X 61)	1	1	1	1	1	NLA	
7	25155-01	J-BOX COVER (75 X 75 X 61)	1	1	1	1	1	NLA	
8	B18590-505	FLUE BLOWER ASS.	1	1	1	1	1		
9	T208	REPLACEMENT FLUE BLOWER BARB	USE ON BLACK LABEL FASCO FLUE BLOWERS ONLY						

* Flue Restrictor Plate and Flue Collector Box Includes Gasket Material

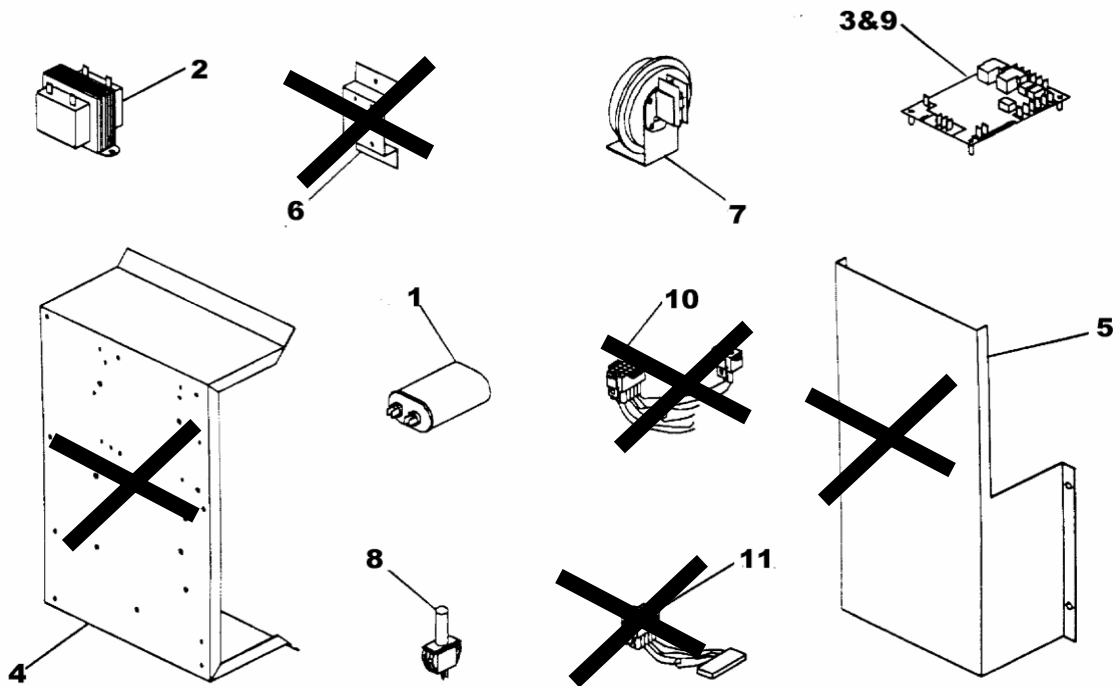
GMC PHOENIX GAS FURNACES



BLOWER ASSEMBLY

#	PART NUMBER	DESCRIPTION	GMP 070	GMP 110	GMP 135	GMP 150	GMP 170	Ex GST Price
1	B13400-502 B13400-503 B13400-522 B13400-523	MOTOR, ¼ H.P. MOTOR, ½ H.P. MOTOR, ¾ H.P. TWIN SHAFT MOTOR, ¾ H.P.	1	1	1	1	1	
2	B13680-00 B13680-16 B13680-34 B13680-46	BLOWER WHEEL (11x10) BLOWER WHEEL (10x8) BLOWER WHEEL (10x6) LEFT BLOWER WHEEL (10x6) RIGHT	1	1	1	1	1	
3	B13701-55	AUXILLIARY LIMIT CONTROL, 120F	1	1	1	1	1	
4	18393-01 25393-00 25393-01 25393-02	BLOWER SHELL ASM. (10x6) RIGHT BLOWER SHELL ASM. (10x6) LEFT BLOWER SHELL ASM. (10x8) BLOWER SHELL ASM. (11x10)	1	1	1	1	1	
5	B13768-51	MOTOR MOUNT BAND			1	1	1	
6	B13768-57 B13768-59 B13768-53	MOTOR MOUNT ARM MOTOR MOUNT ARM MOTOR MOUNT ARM			3	3	3	

GMC PHOENIX GAS FURNACES



MISCELLANEOUS ELECTRICAL & HARDWARE

#	PART NUMBER	DESCRIPTION	GMP 070	GMP 110	GMP 135	GMP 150	GMP 170	Ex GST Price
1	B9456-51 B9456-52 B9456-53	CAPACITOR, 7.5/370 CAPACITOR, 10/370 CAPACITOR, 15/370	1	1	1	1	1	
2	B11416-43	TRANSFORMER	1	1	1	1	1	
3	B18099-20 B18099-09	50 HZ DIRECT SPARK IGNITION MODULE † 50HZ HOT SURFACE MODULE ††	1 1	1 1	1 1	1 1	1 1	NLA NLA
4	B18158-12	CONTROL MOUNT PANEL	1	1	1	1	1	NLA
	B18099-21 B18099-22	DIRECT SPARK IGNITION MODULE 2003-2004 DIRECT SPARK IGNITION MODULE LINK	1 1	1 1	1 1	1 1	1 1	
5	25170-03	COVER FOR CONTROL PANEL	1	1	1	1	1	NLA
6	25095-02	BRACKET FOR AIR PRESSURE SWITCH	1	1	1	1	1	NLA
7	B13701-26 B13701-33 B13701-42	AIR PRESSURE SWITCH - VARIABLE AIR PRESSURE SWITCH - 50" WC AIR PRESSURE SWITCH - 60" WC	1	1	1	1	1	
8	B13708-20	DOOR SWITCH	1	1	1	1	1	
9	B18099-04	TIMED FAN CONTROL	1	1	1	1	1	NLA
10	25684-05	WIRE HARNESS TO HEAT EXCHR.	1	1	1	1	1	NLA
11	25684-04	WIRE HARNESS TO BLOWER	1	1	1	1	1	NLA
	SPTT204	CONVERSION KIT FOR HS1 TO DS1						

CONTROLLER16.15

	SPTT102	MANUAL THERMOSTAT	
	SPTT104	AUTO THERMOSTAT	